

A Full HD LED monitor with 1 ms response time

The ProLite E2282HS-B1 is an excellent 22" Full HD LED-backlit monitor with 1920 x 1080p resolution. It features 1ms response time and 80 000 000 : 1 Advanced Contrast Ratio, assuring clear and vibrant picture quality and high contrast. Triple Input support ensures compatibility with the latest installed graphics cards and embedded notebook outputs. The E2282HS is equipped with two high quality stereo speakers. TCO Certified, this monitor is a reliable solution for both home and office use. Available also with a height djustable stand - [ProLite B2282HS-B1](#).



Full HD

With true 1920 x 1080p resolution your monitor is ready to display high definition images. This means you can accommodate more information on your screen; e.g. 60% more in comparison to a 1280 x 1024 monitor.



Flicker free + Blue light

The ultimate solution for the comfort and health of your eyes. Flicker-free monitors with the blue light reducer function substantially reduce the strain and fatigue caused by flickering and blue light emittance of regular monitors.

01 CARACTERÍSTICAS DE LA PANTALLA

Diagonal	21.5", 54.7cm
Pantalla	TN LED, acabado mate
Resolución nativa	1920 x 1080 (Full HD 1080p, 2.1 megapixel)
Relación de aspecto	16:9
Brillo	250 cd/m ² typical
Contraste estático	1000:1 typical
Contraste avanzado	80M:1
Tiempo de respuesta	1ms
Área de visualización	horizontal/vertical: horizontal°/vertical 170°, derecho/izquierdo: 0°/0°, arriba/abajo: 0°/0°
Soporte de Color	16.7mln 8bit (6bit + Hi-FRC)
Sincronización horizontal	30 - 80KHz
Sincronización vertical	55 - 75Hz
Área de visualización h x v	476.6 x 268.1mm, 18.8 x 10.6"
Pixel pitch	0.248mm
Colour	mate, negro

02 INTERFACES / CONECTORES / CONTROLADORES

Conector de entrada	VGA xx1 DVI xx1 HDMI xx1
HDCP	sí
conector de auriculares	sí

03 CARACTERÍSTICAS

Reductor de luz azul	sí
Flicker free	sí
OSD idioma	EN, DE, FR, ES, IT, CN, RU, JP, CZ, NL, PL
Controles	Alimentación, Menú/Seleccionar, Desplazarse hacia arriba/Volumen, Desplazarse hacia abajo/Modo Eco, Salir
Los controles de usuario	auto adjust, luminance (brightness, contrast), geometry (H. position, V. position, pixel clock, phase), colour, OSD (H.position, V. poition, OSD time), language, recall, miscellaneous (sharpness, DDC/CI, display information, ACR, display mode, overdrive, opening logo), input select, audio (volume, mute, HDMI audio)
Altavoces	2 x 1W
Comodidad	preparado para Kensington-lock™, DDC2B, Mac OSX, DDC/CI

04 ASPECTOS MECÁNICOS

Soporte de altura regulable	tilt
Ángulo de inclinación	22° arriba; 5° abajo
Montaje VESA	100 x 100mm

05 ACCESSORIES INCLUDED

Cable	de alimentación (1.5m), DVI, Audio (1.5m)
Otro	guía de inicio rápido, safety guide

06 GESTIÓN DE ENERGÍA

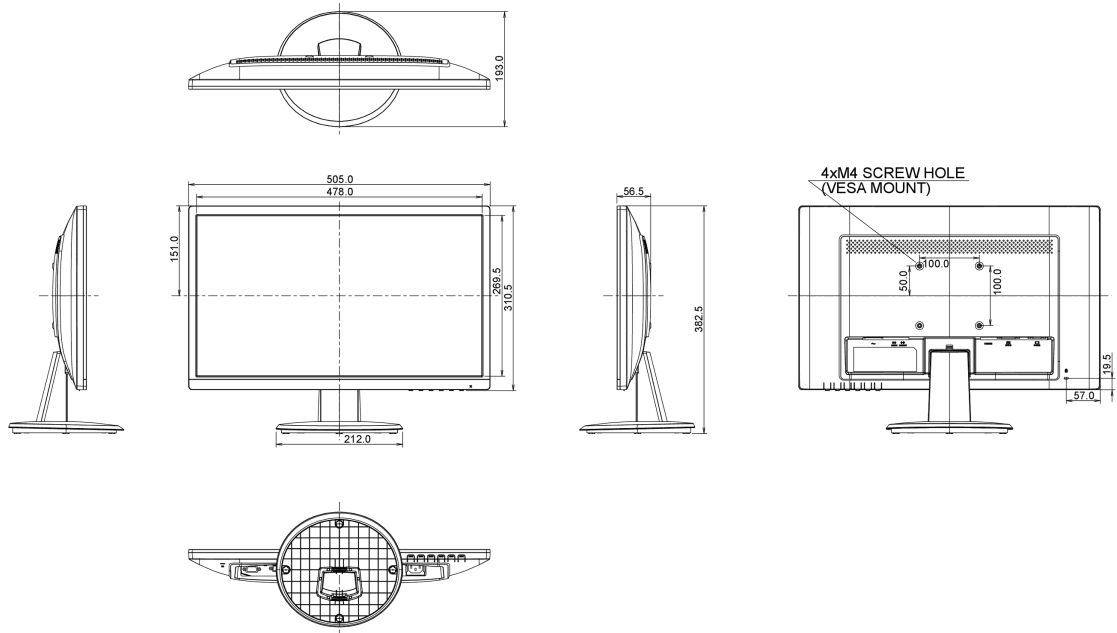
Unidad de fuente de alimentación	interno
Fuente de alimentación	AC AC - 100V, 240/V, 50Hz
Gestión de energía	21W typical, Modo en espera 0.5W

07 SOSTENIBILIDAD

Certificados	CE, VCCI-B, TCO, TÜV-GS, CU, WEEE, RoHS support
Clase de eficiencia energética	B

08 DIMENSIONES / PESO

Producto dimensiones W x H x D	505 x 382 x 193mm
Peso (sin caja)	3kg



All trademarks and registered trademarks acknowledged. E & O E. Specification subject to change without notice. All LCD's comply with ISO-9241-307:2008 in connection with pixel defects.

© IIYAMA CORPORATION. ALL RIGHTS RESERVED